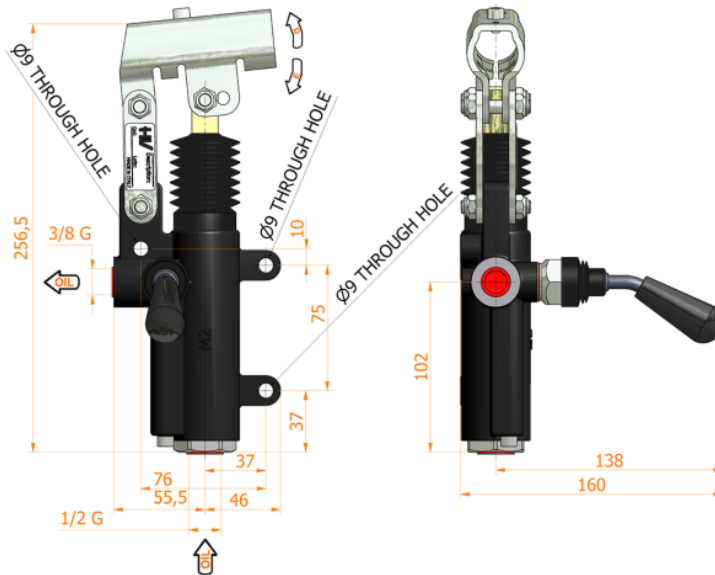
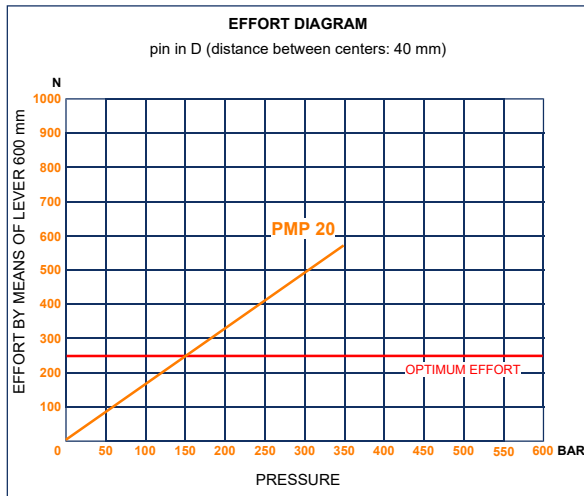
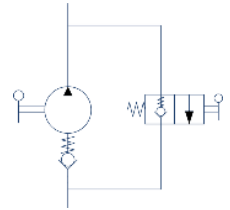




# PMP 20 m-s

with normally closed manipulator  
double acting hand pump for single acting cylinder  
for fixing to wall



**Specifications:**

- Cast iron body
- Piston treated with Niploy
- White zinc plated support lever
- Lever connection  $\varnothing 27$
- White zinc plated external parts
- Standard colour black

DISPLACEMENT cm <sup>3</sup>	A mm	B mm	C mm	D °	E °	ACTUAL DISPLACEMENT cm <sup>3</sup>	PRESSURE BAR		MASS KG	CODE WITHOUT BELLOWS	CODE WITH BELLOWS
							OPTIMAL	MAX			
20	--	--	--	32	30	20,090	150	350	2,650	6074.0056	6074.0061